

# HOFMANN®



## *monty 3300*

---

Spare Parts List

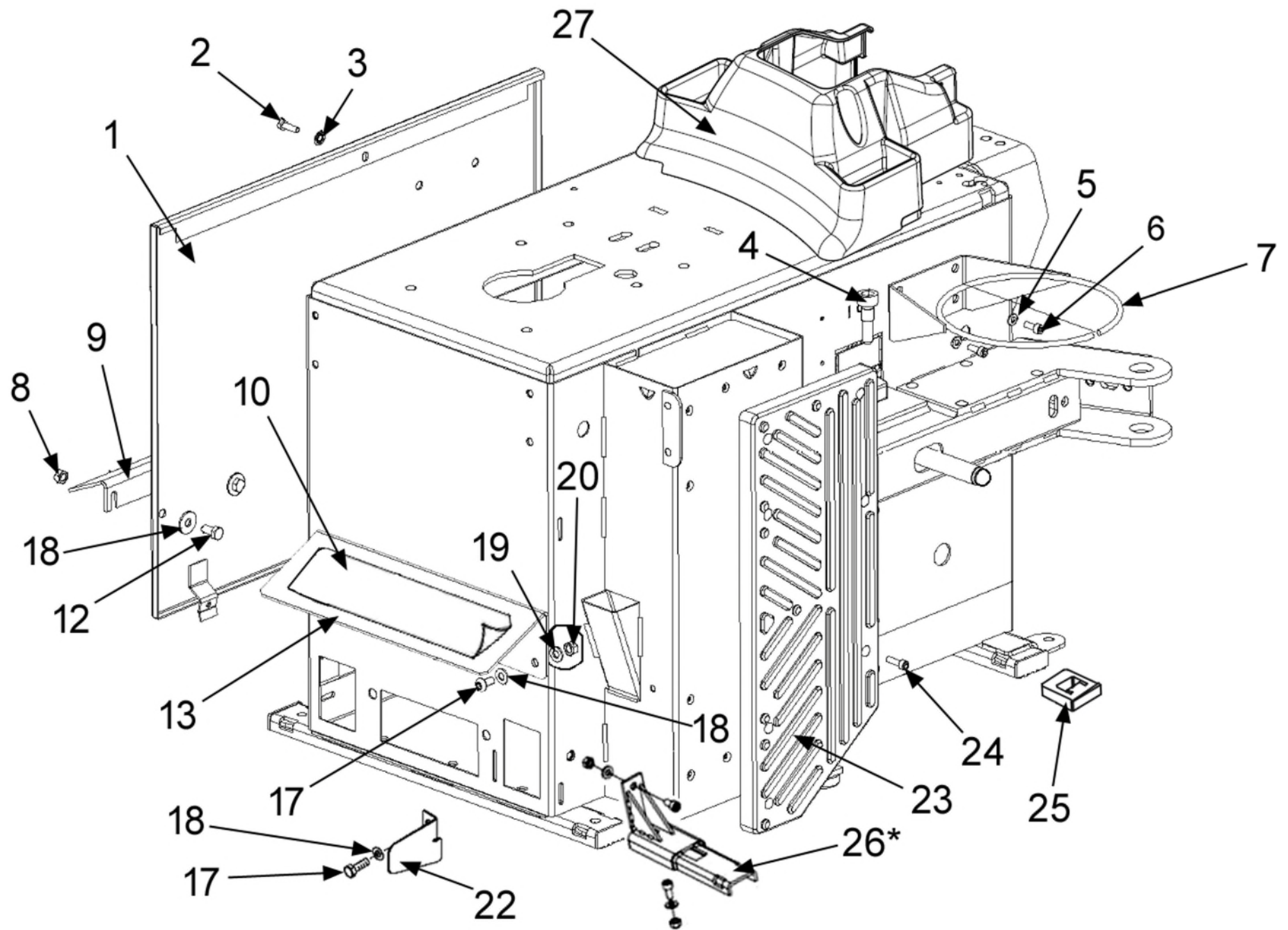
Produced from 2012 to present



## BOM M3300110EM Monty 3300

Part Number	Quantity	Description
EAA0270J26A	1	Tire Changer Assy - HNA 3300110B
ZEEWH717B9	1	Lit Pack Hofmann Monty 3300
EAA0304G15A	1	Plastic Protector Bead Breaker Blade
EAC0115G06A	1	Wave Lever Sleeve
EAA0304G52A	1	3Pc Plastic Rim Protector
EAA0329G34B	1	MH320 Bead Assist
EAK0237J22A	1	Service Foot Extension Kit
EAA0304G66A	1	Qr Quick Exchange Mount Head
EAC0078G13A	5	Back Plastic Rim Protector
EAC0113G61A	5	Rim Protector Plastic
EAM0043G53A	5	Pin M5 Hexagonal Skt
EAK0329G86A	1	Lightalloy Rim Protector Front Only
EAC0097G47A	1	Wave Tire Mounting Lever
5-14126A	1	Brush Tire Lube Applicator
16510	1	Label Danger
16511	1	Label - Danger
19159	1	Label Drain Water
25574	1	Sticker - Pedals
25701	1	Label - No Adjust
EAC0100G55A	1	Label Sealing Hole
EAL0343J76A	1	Label - Electrical / Serial
EAL0383G01A	1	Rotation Direction Label
EAL0383G10A	1	Label Hofmann
EAL0383G30A	1	Label

Part Number	Quantity	Description
EAL0383G31A	1	Label Danger
EAL0383G32A	1	Label Danger
EAL0383G34A	1	Label Danger
EAL0383G36A	1	Label
EAL0408G12A	1	Label Patents
EAL0408G24A	1	Label Oil
EAL0408G25A	1	Label Pressure Min Max
EAL0408G78A	1	Label Protective Device
EAL0413G17A	2	Label Danger
EAL0413G31A	1	Label Ground
EAL0413G34A	1	Label Inflator
EAL0413G36A	1	Label Warning
EAL0420J23A	1	Decal Monty 3300
EAL0467G92A	1	Decal Tc Lever Warning



EAL0383G10A

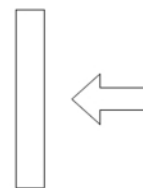
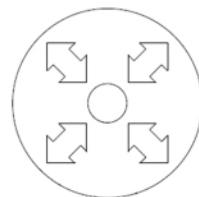
**HOFMANN**®



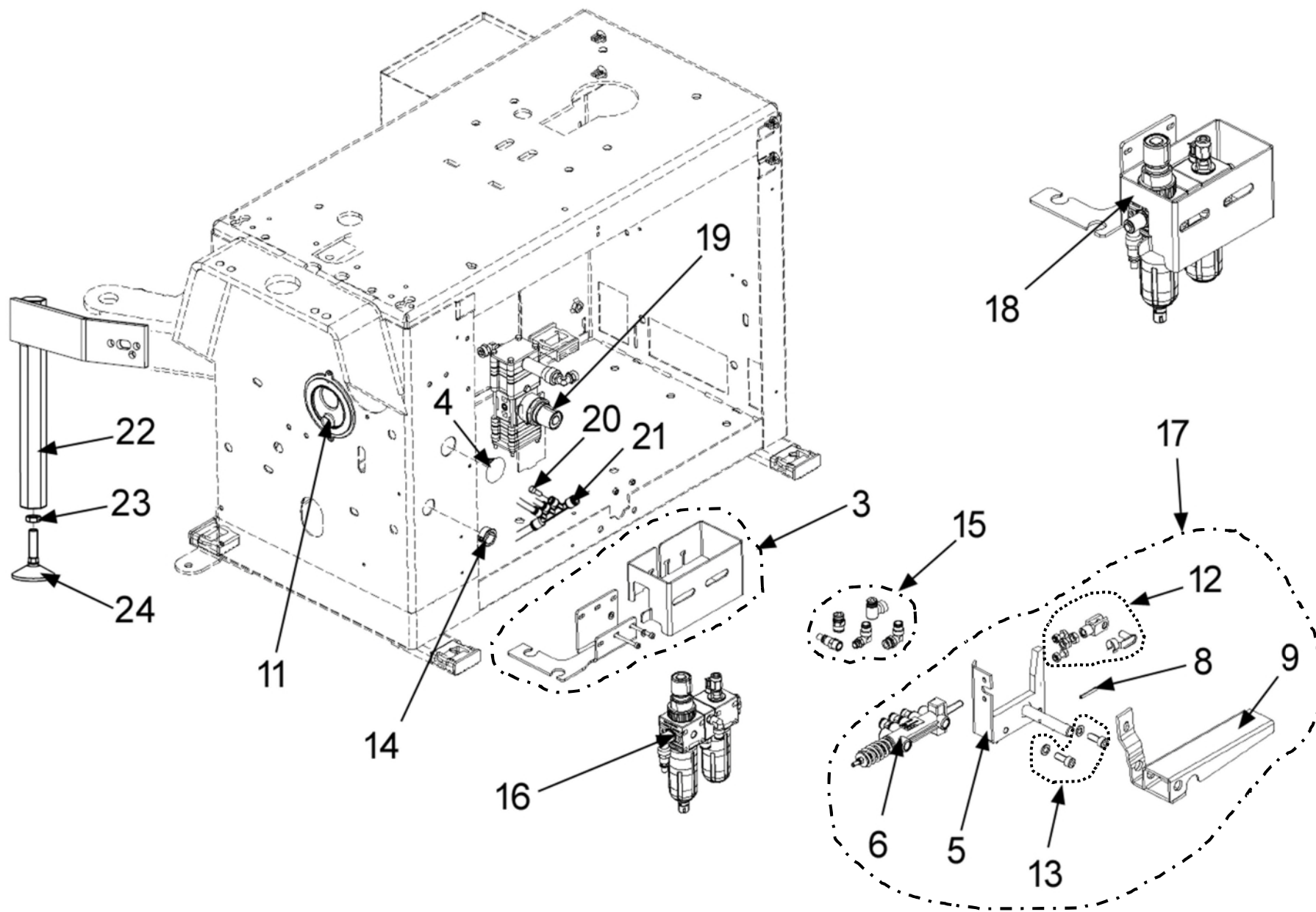
EAL0420J23A

*monty*  
*3300*

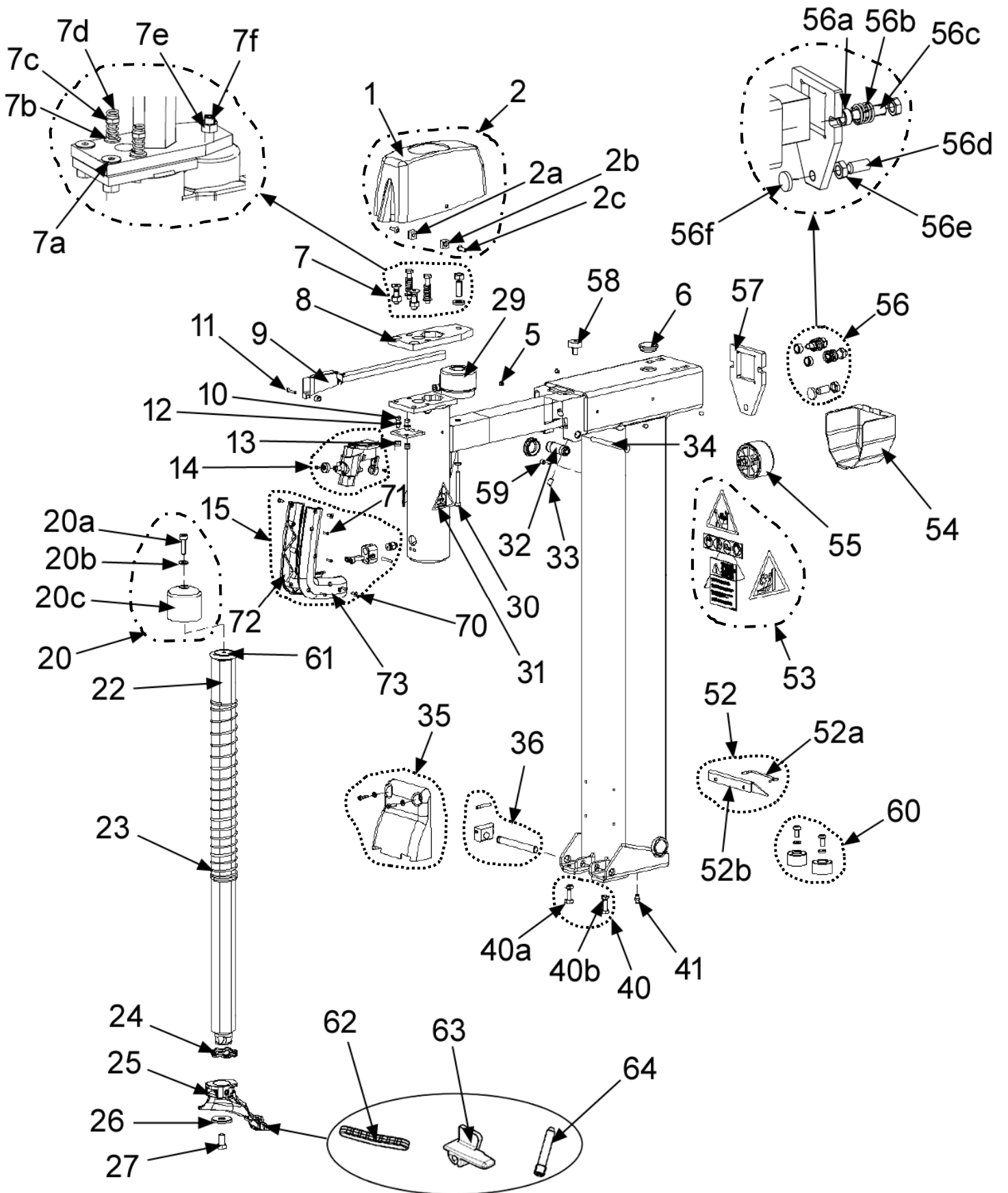
25574



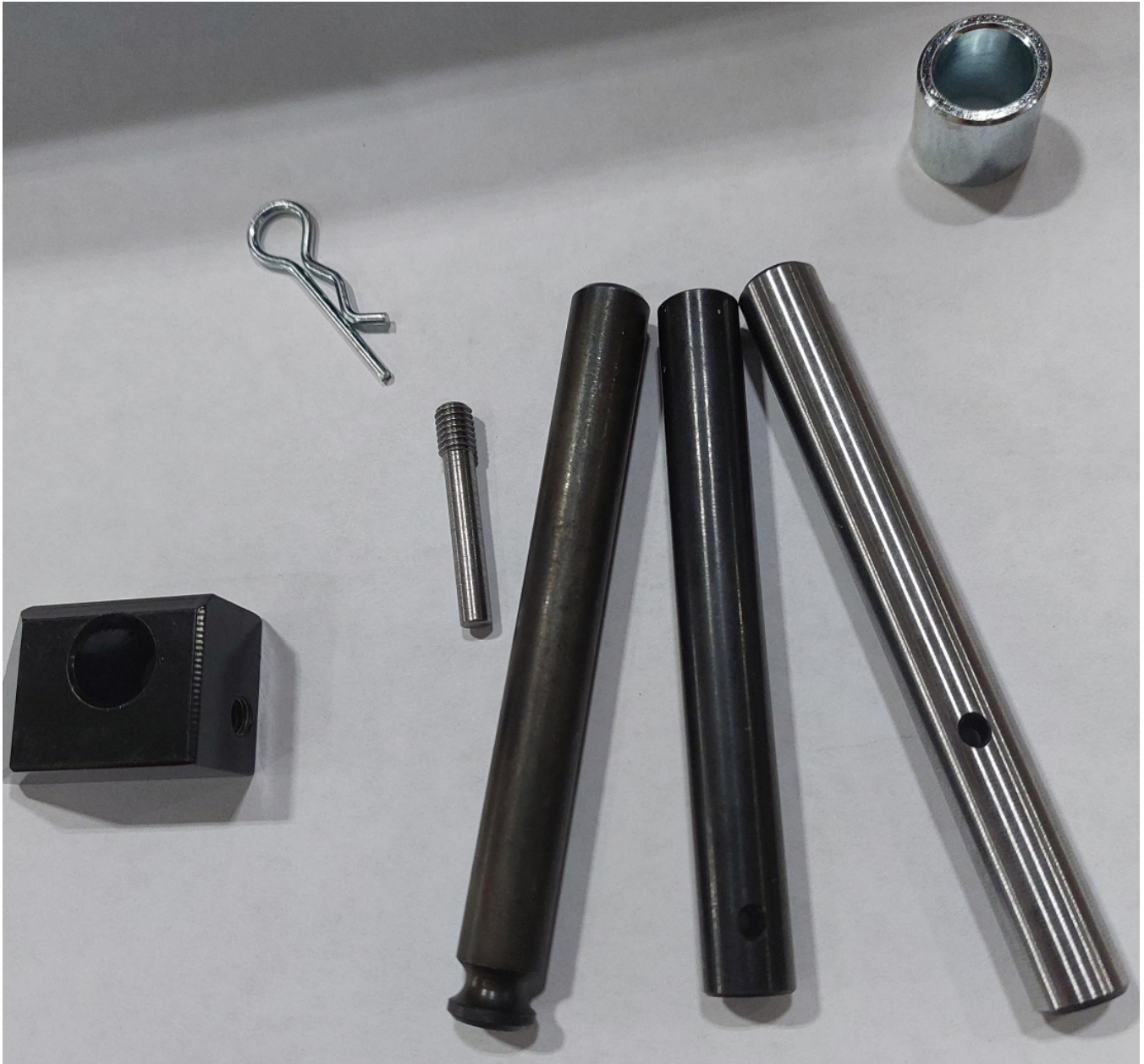
Ref	Qty	Part Number	Description	
1	1	EAS2029J62A	Black Side Panel	EAS2126G60A
2	1	1-30901A2	Screw 6 x 20 Hex Head	
3	1	1-1548	Washer - Lock D 6	
4	2	EAM0067G34A	Screw, Fitting - Cylinder B/Break	
5	2	1-9841	Washer, Plain D 6 Zinc.	
6	2	1-16409A	Screw 6 x 20	
7	1	EAA0349G76A	Ring - Box, Grease	
8	2	1-11733A	Nut M8 Black	
9	1	EAS2115G83A	Protector, Pedal	
10	1	25574	Sticker - Pedals	
12	2	1-32601	Screw M8 x 20	
13	1	EAS2115G04A	Pedal Protection	EAC0114G09A
17	3	1-32701	Screw - M8 x 25 mm Hex Head	
18	5	1-10041	Washer, Plain M8	
19	2	1-3048	Lock Washer	
20	2	1-15933A	Nut Hex M8 - 1.25 mm	
22	1	EAS2100G95A	Pedal - Reverser Protection	
23	1	EAC0099G22A	Pad - Support, Bead Breaker	
24	7	1-09624A	Screw M6 x 20	
25	4	EAC0097G52A	Foot Square	
26*	1	EAS2141J44A	Foot Extension Weldment	
27	1	EAM0180G26A	Cover Base Machined	EAC0103G39A
* Started in production June 2020 (T55FPxxx)				



Ref	Qty	Part Number	Description	
3	1	EAK0330G49A	NA Lubricator Filter Fixing Kit	
4	1	1-08676A	Cap, Closing	
5	1	EAS2134G52A	GT Pedal Support	
6	1	ST4029115	Valve, Bead Inflating	EAA0329G75A
8	1	ST7023119	Pin - Straight Slotted 4 x 30	1-6652
9	1	ST4029114	Inflator Pedal Cataphor	EAS2068G87A
11	1	EAC0100G22A	Cable Protection	
12	1	EAK0306G32A	Screws And Bolts For GT Valve	
13	1	EAK0306G33A	Screws And Bolts For GT Pedal	
14	1	8-11616A	Snap Bushing	
15	1	EAK0315G99A	Fittings Kit For Filter	
16	1	EAA0439G90A	Filter - Pressure Regulator	
17	1	EAA0384G14A	Group, Bead Inflating Pedal	
18	1	EAA0489G30A	Lubricator Filter Group	
19	1	EAA0384G22A	Valve, Air Control	
20	1	1-09176A	Cap, Fitting D 6	
21	1	1-12379A	Multi - Tee 08-06	
22*	1	EAS2196G03A	Foot Support	
23*	1	1-22733A	Nut M12	
24*	1	8-12618A	Foot With Thread Pin	
*Started in production June 2020 (T55FPxxx)				



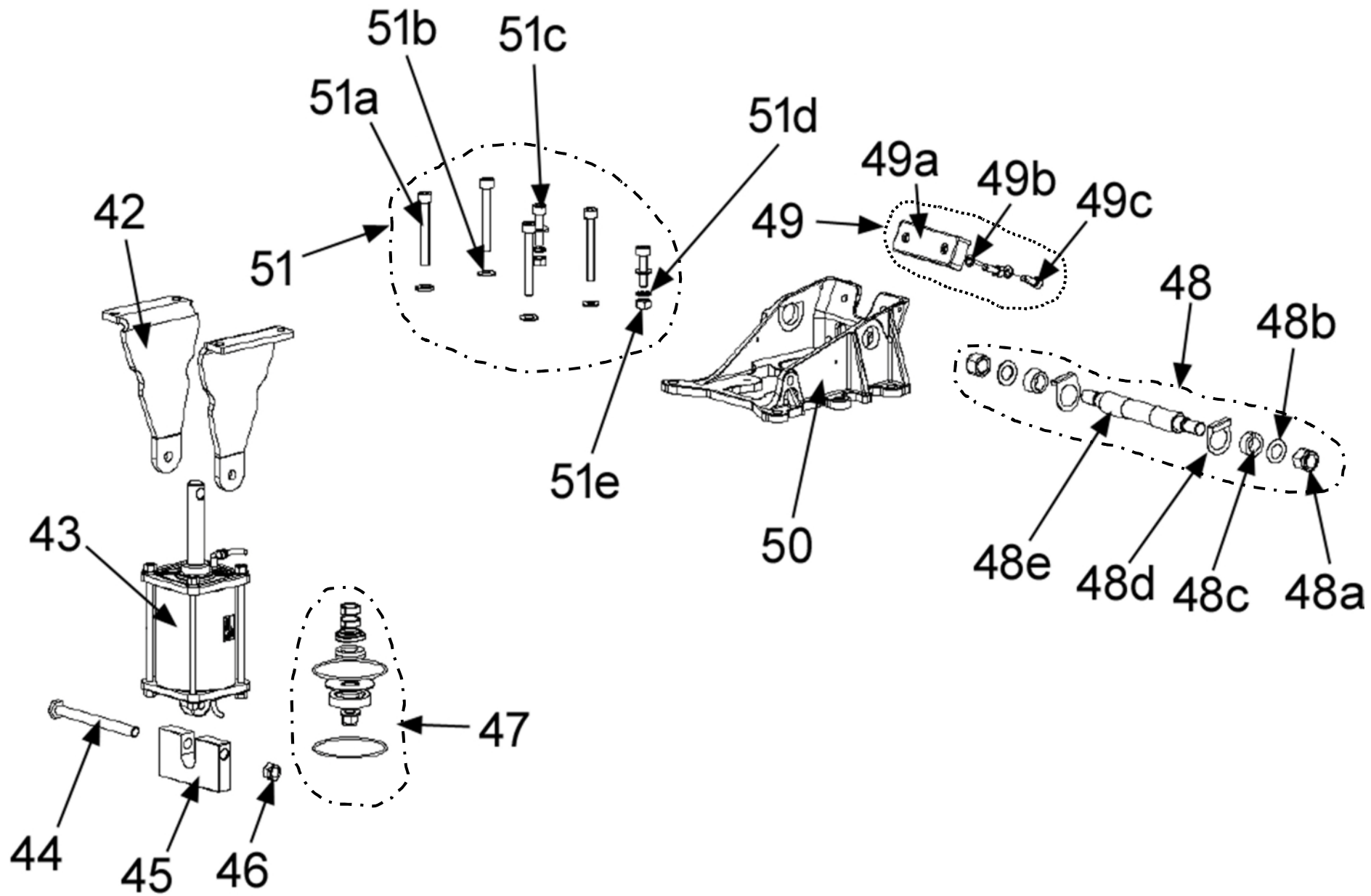
Item #36 EAK0306G50A



Ref	Qty	Part Number	Description	
1	1	25272	Protection - Upper, Tower	EAC0102G54A
2	1	EAK0306G40A	Upper Column Carter Kit	
2a	1	25810	Spacer, Protection	
2b	1	25691	Spacer, Protection	
2c	2	1-53209A	Screw TBEI M6 x 16	
5	4	EAC0099G76A	D 5 Cap For Side Panel	
6	2	EAC0097G57A	Plug - Screw, Retaining	
7	1	EAK0306G39A	Screws For Upper Locking Lever	
7a	2	ST7906319	Screw TSEI 10 x 35	
7b	3	1-10041	Washer, Plain M8	
7c	2	1-39901A	Screw M8 x 50	
7d	2	ST0012044	Spring - Recall. Adjustment	
7e	3	1-15433	Nut M10 White Zinc	
7f	1	ST7706399	Screw 10 x 30	
8	1	ST0020985	Lever, Plate - Upper	EAM0074G94A
9	1	ST0015370	Carter, Hoses Protection	EAC0099G86A
10	2	ST7104119	Screw Hex Head Machine 6 x 16 8G	1-14701A
11	1	1-17203A	Screw Tsei 4 x 16 10.9	
12	3	1-13241	Washer, Flat, D 6	
13	2	1-01637A	Nut - S Lock, High - M6 5S	
14	1	EAA0338G11A	Valve, Lift Control, Yellow Button	
15	1	EAK0316G10A	Kit Handle Tilting Tower	
20	1	EAK0306G47A	Protection Kit For Spring	
20a	1	1-17609A	Screw 8 x 16 8.8	
20b	1	1-17741	Washer D 8	
20c	1	EAM0140G92A	Cover Spring	
22	1	ST0020965	Rod - Vertical	20965
23	1	EAM0055G22A	Spring, Recall - Tower, Vertical	
24	1	EAC0094G01A	Shock Absorber - Rod	
25	1	EAA0329G95A	Mounting / Demounting Tool	
26	1	EAM0032G02A	Washer - Tool Clamping	
27	1	1-34301A	Screw Hex 10 x 20 8G	
29	1	ST4007435	Cylinder - Vertical, Locking	EAA0344G32A

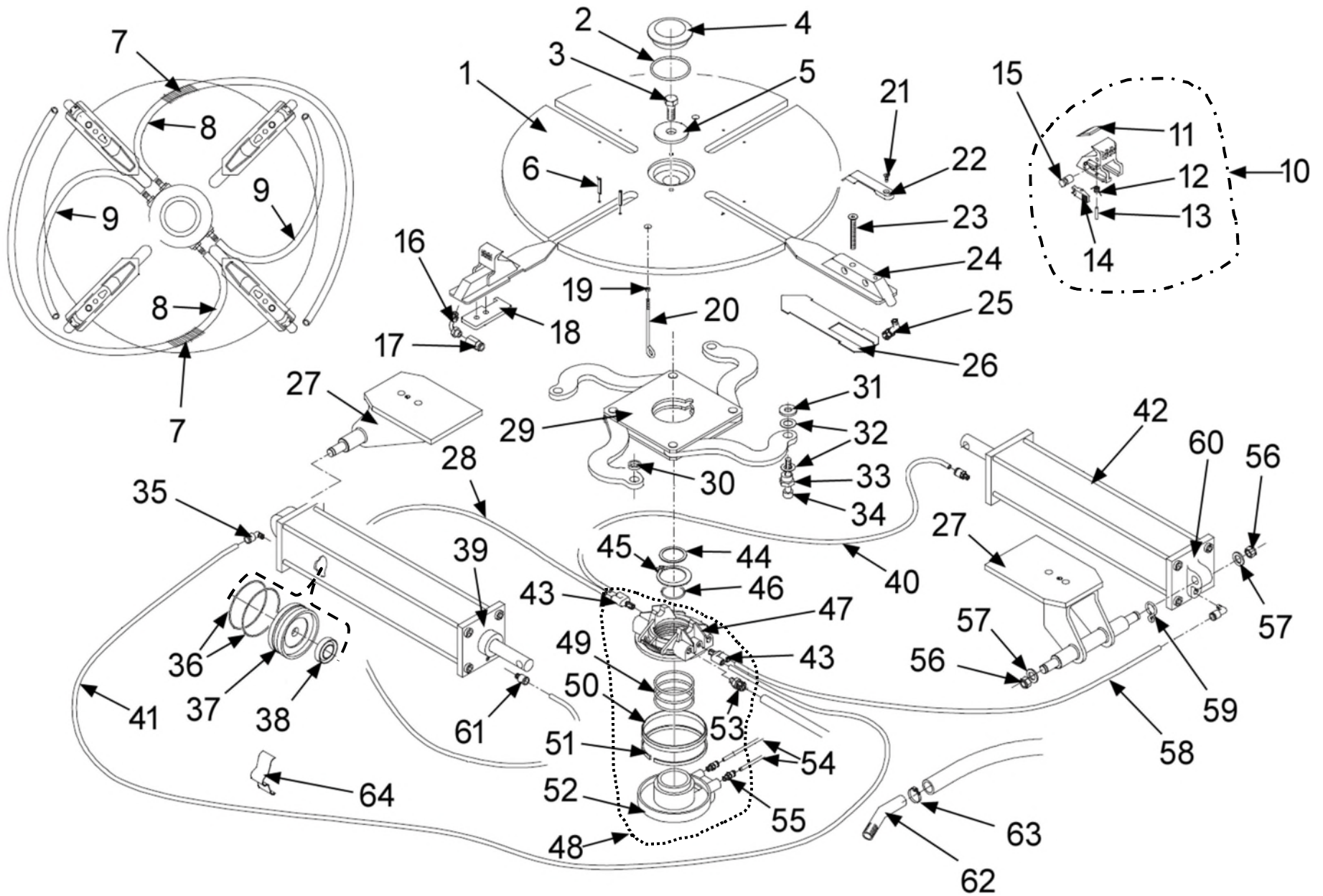
Ref	Qty	Part Number	Description	
30	1	1-17209	Screw Tcei 6 x 60 8G	
31	2	EAL0408G42A	Sticker Danger	
32	1	ST0024941	Roller, Arm Sliding	EAM0082G43A
33	4	ST7705719	Screw M8 x 1 x 12 Burnished Uni 5923	1-55101A
34	1	ST0024942	Kickoff	EAM0082G44A
35	1	EAK0306G83A	Front Column Protection Kit	
	1	EAC0103G38A	Cover Plastic Anti Intrusion	
	2	1-25423A	Screw #10 - 16 x 1/2"	
36	1	EAK0306G50A	012 Fulcrum Kit	
40	1	EAK0306G49A	Column End Stroke Kit	
40a	2	ST0010721	Screw Support Tower	
40b	2	1-15933A	Nut Hex M8 - 1.25	
41	1	ST0003280	Greaser - Nipple M8 x 1.25	1-18084A
52	1	EAK0306G51A	Rear Column Protection Kit	
52a	1	EAM0006G49A	Retainer - Flap	
52b	1	EAS2097G01A	Protection, Rear Tower	
53	2	EAK0306G38A	Label Kit For Column	
54	1	25272	Protection, Cylinder	EAC0102G53A
55	1	ST4007436	Cylinder - Rod, Horizontal - Lock	EAA0344G48A
56	1	EAK0306G48A	Screws For Rear Locking Lever	
56a	2	ST0025219	Screw Centering Bushing	
56b	2	EAM0053G51A	Spring - Recall, Lever, Locking	
56c	2	ST0025217	Screw Register, Lever	
56d	1	ST7707449	Screw 12 x 25	
56e	3	1-22733A	Nut M12	
56f	2	ST0011634	Washer Reinforcement	
57	1	ST0025218	Lever, Locking	EAM0074G95A
58	1	ST0005672	Screw - Arm, Retaining	EAC0094G00A
59	2	1-47810	Screw	

Ref	Qty	Part Number	Description
60	1	EAK0306G36A	Shock Absorber Kit For Column
	2	1-9902A	M8 - 1.25 x 16 mm
	2	1-10041	Washer, Plain M8
	2	EAC0125G94A	Pad Shock Absorber
61	1	EAM0055G23A	Washer Locking spring
62*	5	EAC0078G13A	Back Plastic Rim Protection
63*	5	EAC0113G61A	Plastic Rim Protection
64*	5	EAM0043G53A	Pin M5 Hexagonal Socket
70+	4	ST7614101	Screw, Self-Tapping M3.5 x 13 mm
71+	4	ST7401149	Screw Phil Head M3 x 10 mm
72	1	EAA0362G33A	Left Handle with inserts
73	1	EAC0094G03A	Right Handle
*Note - Included with EAA0329G95A item #25			
+Note - Not Included with EAK0316G10A item #15			

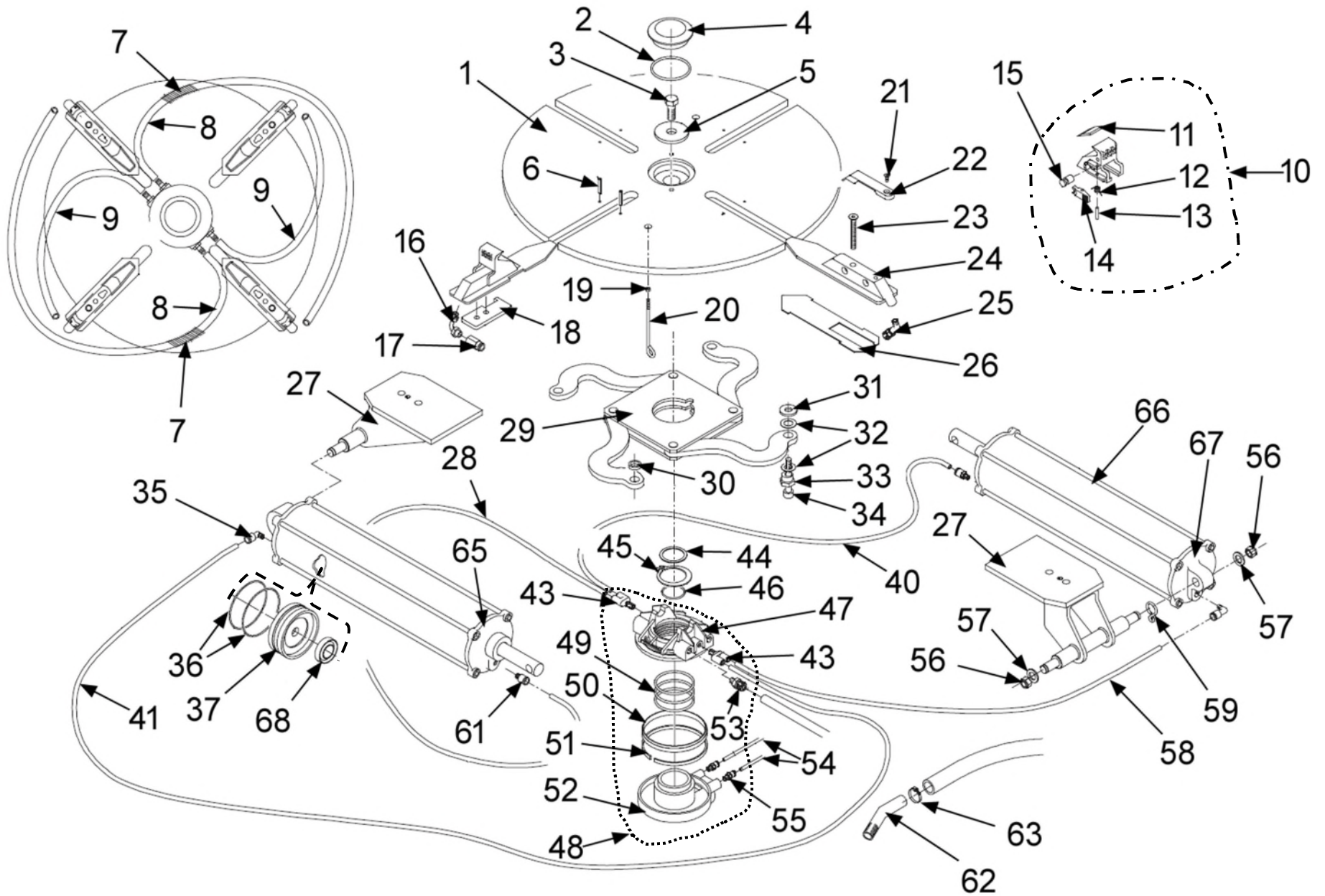


Ref	Qty	Part Number	Description
42	2	EAS2111G04A	Bracket For Tilting Tower, White Zinc
43	1	EAA0356G14A	Cylinder Tilting Tower
44	1	1-21501	Screw Te 12 x 140 8G
45	1	EAM0069G66A	Spacer For Cylinder
46	1	1-19933A	Nut - Lock - M12 Din985
47	1	EAA0356G43A	Seals, Kit For Tilt Cylinder D 90
48	1	EAK0306G02A	Tilting Tower Connecting Kit
48a	2	1-02637A	Nut - S Lock, High - M16
48b	2	EAM0051G74A	Washer 30 x 17 x 0.3
48c	2	EAM0075G52A	Bushing, Conic Tower
48d	2	EAM0086G15A	C67 0.8 Washer
48e	1	EAM0051G65A	Tower - Axle Pin
49	1	EAK0306G35A	Clamp Overturning Kit
49a	1	EAM0080G29A	Clamp Overturning
49b	2	1-25841A	Plane Washer 8.4 x 14 x 1.6
49c	2	1-17709	Screw HSHC 8 x 20
50	1	EAM0080G77A	Tower Support Machined
51	1	EAK0306G37A	Screws+Bolts For Column Support
51a	4	1-57309A	Screw 10 x 80
51b	6	1-10141A1	Washer D 10
51c	2	1-19409	Screw 10 x 40
51d	2	13148	Ext Shakeproof D 10
51e	2	1-15433	Nut M10

EAA0371G02A Turntable used from 01/2012 (T55AFxxx) to 05/2016 (T55EKxxx)



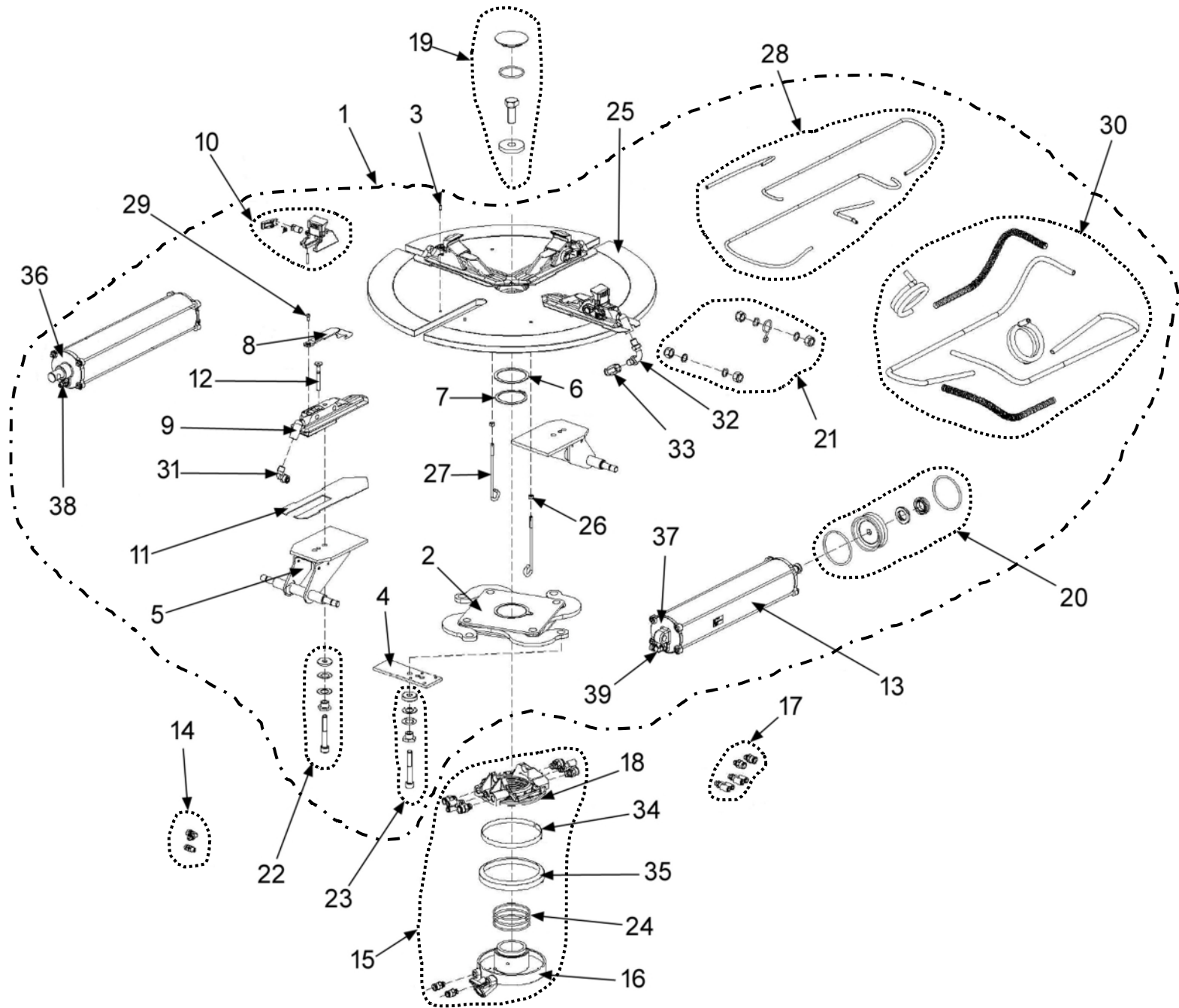
EAA0371G01A Turntable used from 06/2016 (T55FKxxx) to 04/2017 (T55DLxxx)



Ref	Qty	Part Number	Description	
1	1	ST4022157	Plate - Turntable, Central 20"	EAS2092G30A
2	1	8-11714A	Gasket O-Ring 46.4 x 3.53	
3	1	1-51101A	Screw 16 x 1.5 x 40	
4	1	EAC0087G47A	Protection - Turntable	ST0005678
5	1	EAS2092G32A	Washer	
6	8	1-5652	Pin - Split 4 x 10	
7	2	EAM0154G76A	Spring - Protection, Air Hoses	0024926
8	mr	2618002	Hose - Air 8 x 10 (sold by the meter)	0022835
9	2	ST0026904	Pipe, Spiral Black 6.5 x 10 x 2.5	0026904
10	4	ST4028811	Sliding Jaw Complete	EAA0350G20A
11	4	EAC0087G48A	Protection, Rims	
12	4	ST0025676	Spring for Sliding Lever	EAM0075G05A
13	4	1-19252A	Clip D 4 x 22	1-21352A
14	4	ST0025678	Lever, Sliding Clamping - Machined	EAM0075G07A
15	4	ST0025677	Pin, Sliding Clamping	EAM0075G06A
16	2	EAM0051G83A	Pipe For Terminal GT	
17	2	1-14479A	Fitting, Swift 8 x 10 1/4"	
18	2	EAM0043G49A	Plate, Register - Clamp	
19	1	ST7020412	Nut M6	7020412
20	1	EAM0051G90A	Support, Pipe GT	
21	4	1-36109A2	Screw 5 x 10	
22	4	EAC0099G90A	Protection Jaws	
23	4	1-24603A	Screw M8 x 60	
24	4	ST0029472	Clamp, Sliding W/Center 26"	EAM0075G00A
25	2	1-14379A	Fitting 90 Deg 1/4 8 x 10	
26	4	EAM0051G00A	Guide Terminals, Center	
27	2	EAA0377G79A	Bracket Cylinders	
28	mr	5-06435A	Hose - Air 4 x 6 (sold by the meter)	EAM0069G99A
29	1	EAA0338G71A	Clamp Actioning Plate	
30	2	EAM0051G75A	Sliding Rod Spacer	
31	2	EAM0051G76A	Washer 10 x 30 x 3	
32	8	EAM0051G74A	Washer 30 x 17 x 0.3	
33	4	EAM0043G19A	Eccentric For Sliding Rod	
34	4	1-54409A	Screw 10 x 50	

Ref	Qty	Part Number	Description	
35	2	ST0005140	Elbow Fitting 1/8" 4 x 6 (Push in lock)	1-10879A
36	4	ST0001682	Seal O-Ring D 75	8-11614A
37	2	ST0015200	Double Seal D 75	EAC0087G45A
38	2	8-15914A	Lip Seal	
39	2	0031384	Machined Front Flange	
40	mr	5-06435A	Hose - Air 4 x 6 (sold by the meter)	EAM0070G00A
41	mr	5-06435A	Hose - Air 4 x 6 (sold by the meter)	EAM0070G01A
42	2	ST4026768	Cylinder Square Section	EAA0344G17A
43	2	ST0019849	Y Fitting 1/8" 4 x 6	1-13579A
44	1	EAM0051G85A	Support, Ring	
45	1	1-18677A	Ring, Stop D 60	
46	1	8-10714A	Seal O-Ring D 50	
47	1	ST4015870	Ring, Outer Manifold	EAA0338G76A
48	1	EAA0304G69A	Revolving Manifold GT	
49	3	ST0013161	Seal O-Ring D 69.44 x 3.53	8-10814A
50	1	EAC0087G50A	Front Gasket	
51	1	ST0015617	Gasket Seal Spring	EAA0338G77A
52	1	ST4013171	Ring - Inside, with Supports	EAA0338G27A
53	4	ST0022175	Fitting, Quick - Hose 10 1/4	1-14679A
54	mr	5-06335A	Hose - Air 6 x 8 (sold by the meter)	25023
55	2	ST0001924	Fitting 1/8" 6 x 8	1-11379A
56	4	1-19933A	Nut - Lock M12	
57	4	1-24641A	Washer D 12 x 18 x 1	
58	mr	5-06435A	Hose - Air 4 x 6 (sold by the meter)	EAM0070G02A
59	1	EAM0051G88A	Hook For Air - Hose	
60	2	0031385	Rear Flange	
61	2	ST0001923	Straight Fitting 1/8" 4 x 6 (Push in lock)	1-11579A
62	1	4019342	Hose, Connection - Rubber	
63	1	EAM0075G29A	Clip, Locking - Hose	
64	2	EAM0046G21A	Spring for Pipe Coupling	
65	2	ST0019653	Front Cylinder Flange	
66	2	EAA0338G74A	Self Centering Cylinder 20"	
67	2	ST0019652	Rear Cylinder Flange	
68	2	ST0001683	Lip Seal	8-09614A

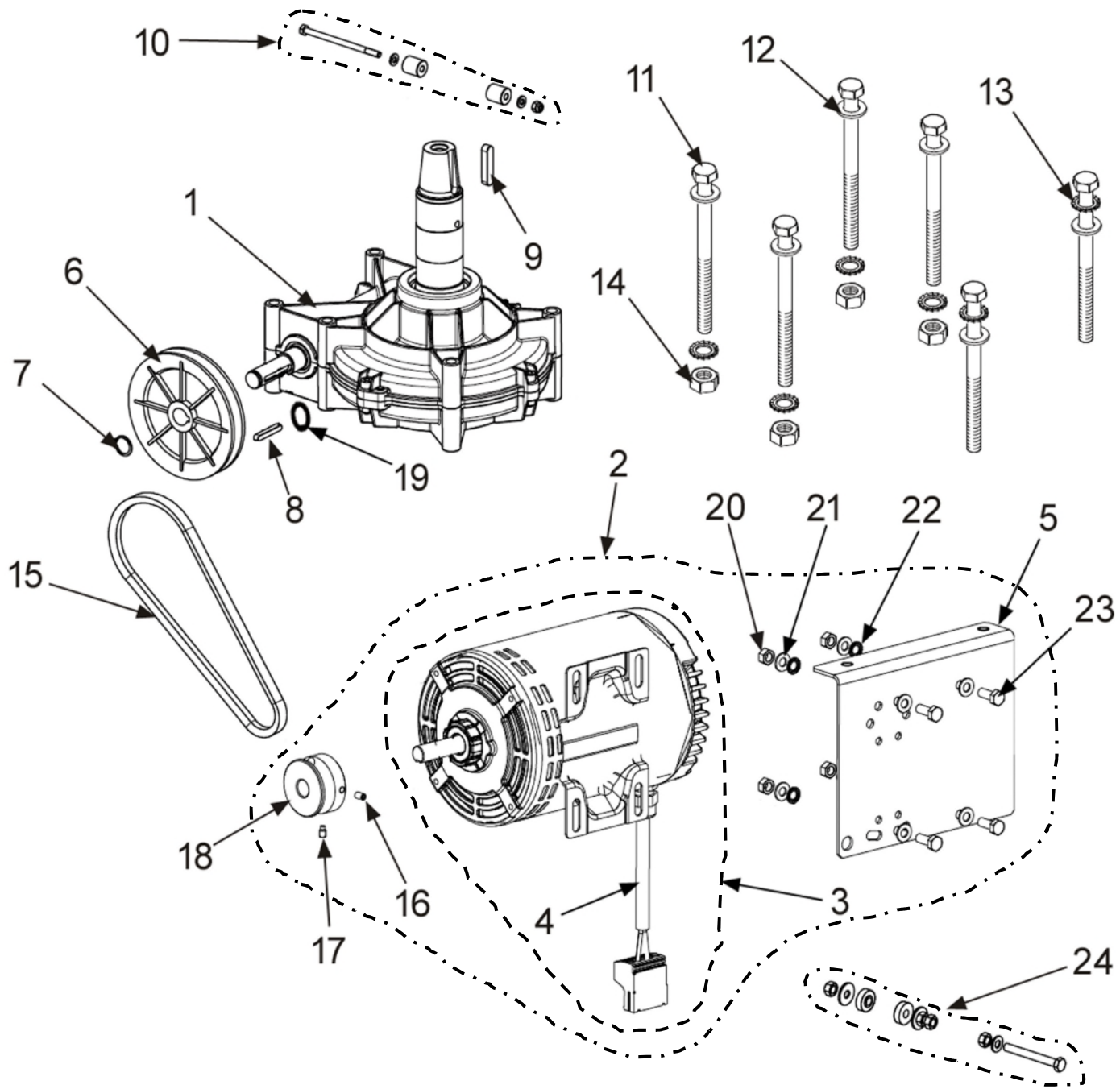
# Turntable used from 05/2017 (T55ELxxx) to Present



Ref	Qty	Part Number	Description	
1	1	EAA0409G85A	Turntable 24" Center Type No Gt	EAA0489G97A
2	1	EAA0351G73A	Clamp Actioning Plate	EAA0489G39A
3	8	1-25952A	Pin Dowel 5 x 10 Uni En 28734	
4	2	EAM0043G49A	Plate, Register - Clamp	
5	2	EAA0377G79A	Bracket Cylinders	
6	1	EAM0051G85A	Support, Ring	
7	1	1-18677A	Ring - Stop D 60	
8	4	EAC0099G90A	Protection Jaws New	
9	4	ST0029428	Clamp, Sliding W/Centre 20"	EAM0075G00A
10	4	EAA0408G23A	Assembled Sliding Jaw C/Type V2	
11	4	EAM0051G00A	Sliding Clamp Guide	EAS2201G51A
12	4	1-24603A	Screw Tsei 8 x 60 12.9	
13	2	EAA0410G31A	Cylinder, Turntable	
14	1	EAK0330G35A	Tt Cylinder Fittings Kit	
15	1	EAA0304G69A	Revolving Manifold, Tubeless Inflator	
16	1	EAA0338G27A	Ring - Inside, With Supports	
17	1	EAK0330G28A	Revolving Manifold Fittings Kit	
18	1	EAA0338G76A	Ring, Outer - Manifold	
19	1	EAK0306G25A	Turntable Fixing Kit	

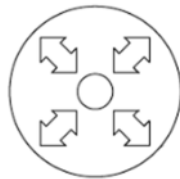
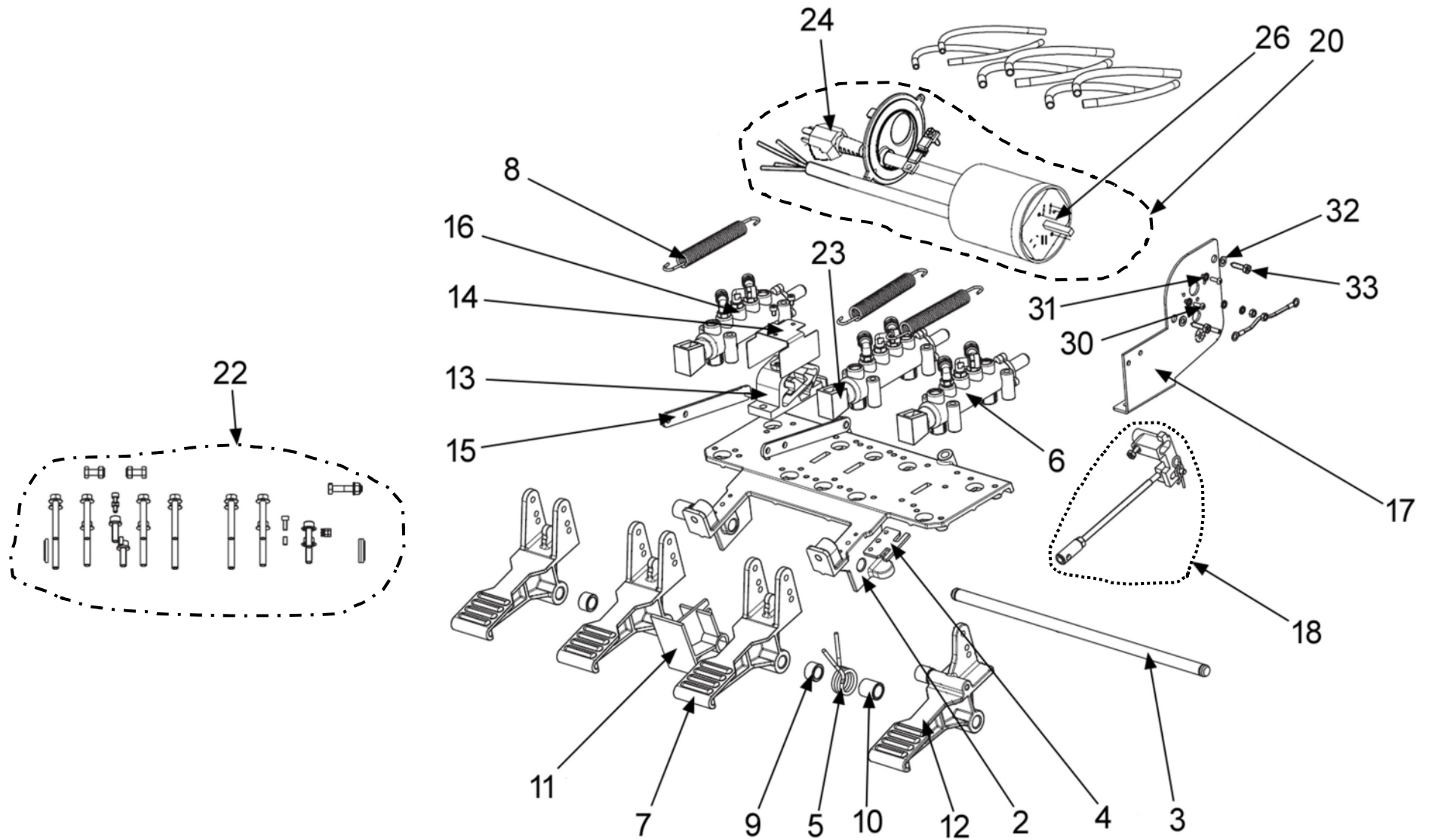
Ref	Qty	Part Number	Description	
20	2	EAK0317G36A	Seal For Round Cylinder	
21	1	EAK0306G27A	Screws And Bolts For Turntable Cyl.	
22	2	EAK0329G89A	Screws And Bolts For Clamps	
	1	EAM0051G76A	Washer 30 x 10 x 3	
	2	EAM0051G74A	Washer 30 x 17 x 0.3	
	1	EAM0043G19A	Eccentric Bushing	
	1	1-54409A	Screw M10 x 70	
23	2	EAK0329G88A	Screws And Bolts With Eccentric	
	1	EAM0051G75A	Sliding Rod Spacer 30 x 10 x 8	
	2	EAM0051G74A	Washer 30 x 17 x 0.3	
	1	EAM0043G19A	Eccentric Bushing	
	1	1-54409A	Screw M10 x 70	
24	3	ST0013161	Seal O-Ring D 69.44 x 3.53	8-10814A
25	1	EAS2153G40A	Turntable Flange, C/Type	EAA0481G73A
26	2	1-11633A	Nut - Hex M6 6S	
27	2	EAM0051G90A	Support, Pipe Gt (White Galvan.)	
28	1	EAK0341G62A	Turntables Hoses Kit	
29	4	1-36109A2	Screw 5 x 10	
30	1	EAK0341G63A	Turntable Hoses Kit For Gt	
31	2	1-14379A	Fitting - 90 Deg L 1/4 8 x 10	
32	2	EAM0051G83A	Pipe For Terminal Gt	
33	2	1-27379A	Fitting, Swift F 8 x 10 1/4"	1-14479A
34	1	EAA0338G77A	Spring, Joint Sealing	
35	1	EAC0087G50A	Seal Tubeless Inflator - Front Joint	
36	2	ST0019653	Front Cylinder Flange, Shaft end	
37	2	ST0019652	Rear Cylinder Flange	
38	2	ST0001368	Straight Fitting 4 x 6 mm 1/8" (Nut & Ferrule)	1-27179A
39	2	1-18879A	Elbow Fitting 4 x 6 mm 1/8" (Nut & Ferrule)	

From 08/2022 (T55HRxxx)

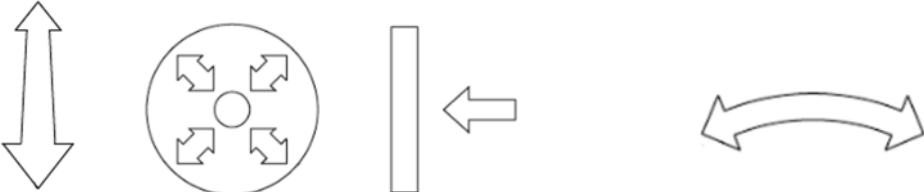
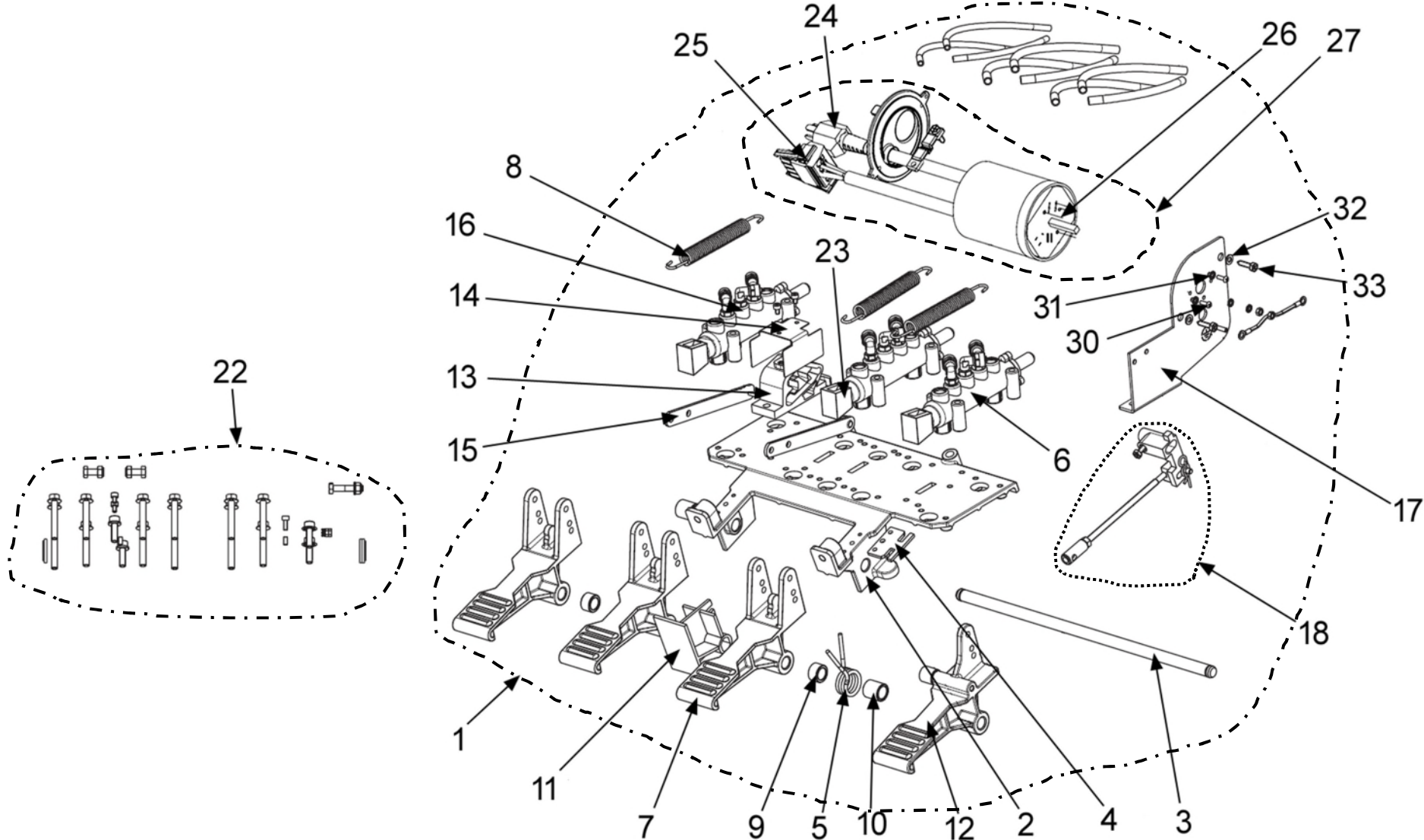


Ref	Qty	Part Number	Description	
1	1	EAA0382G23A	Gearbox	
2	1	EAA0534G65A	1PH 115V Right Motor Assembly	
3	1	EAA0534G62A	1 Phase US Motor & Cable Assembly	
If machine has a Leeson Motor (Made up to September 2022 T56JRxxx) then EAA0534G65A would need to be ordered which is the Nidec Motor, cable and plate.				
4	1	EAW0277G10A	115V Motor Cable	
5	1	EAS2131G28A	Support - Motor	
6	1	EAC0096G37A	Pulley 1 Groove	EAM0125G94A
7	1	1-18577A	Ring Snap Shaft D 19	
8	1	1-772	Key 6 x 6 x 40	
9	1	1-1572	Key 10 x 8 x 45	
10	1	EAK0279G67A	Antirotaion Kit	
11	6	1-50401A	Screw M10 x 160	
12	6	1-10141A1	Washer D10	
13	6	13148	Washer M10 Ext Shakeproof	
14	4	1-15433	Nut M10	
15	1	EAC0078G58A	Belt V A26	
16	1	1-48910A	Screw STEI 6 x 10 - Plane 12K Br	
17	1	1-54210A	Set Screw M6 x 10 Hex Socket	
18	1	EAM0154G58A	Pulley DP=2" Hole D 5/8"	
19	1	1-24477A	Wave Washer 19 mm ID	
20	4	1-11733	Nut M8	
21	8	1-10041	Washer, Plain M8	
22	4	1-3048	Lock Washer	
23	4	1-32601	Screw M8 x 20	
24	1	EAK0279G66A	Belt Tightener Kit	

Pedal Assembly used from 01/2012 (T55AFxxx) - 05/2016 (T55EKxxx)



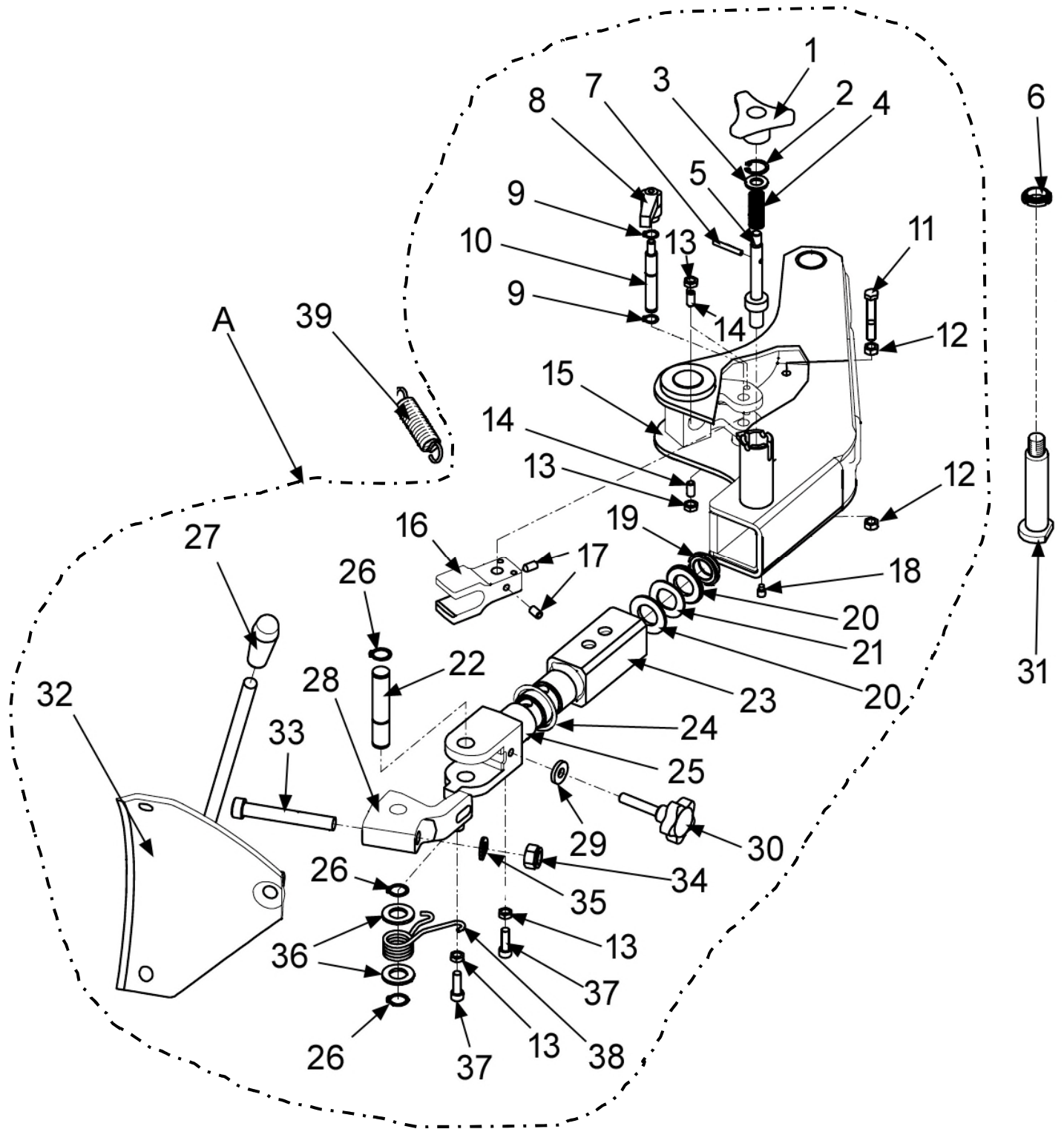
Pedal Assembly used from 06/2016 (T55FKxxx) to Present



Ref	Qty	Part Number	Description	
1	1	EAA0370G84A	Foot Pedal Asm 4P 1Ph 115V	
2	1	EAM0068G80A	Pedal Asm Support - Machined	
3	1	EAM0068G10A	Shaft - Hinge, Pedal	
4	1	EAM0070G32A	Commutator Spring Guide	
5	1	EAM0048G78A	Spring, Pedal Switch	
6	1	EAA0440G87A	Bead Breaker Valve and hoses	
	1	EAA0356G94A	Bead Breaker Valve	
7	3	EAM0068G95A	Standard Pedal - Machined	
8	3	EAM0147G64A	Spring Recall Pedals	
9	2	EAM0070G46A	Spacer L=11 mm	
10	1	EAM0048G79A	Bushing, Centering - Spring	
11	1	EAC0096G11A	Spacer - Pedal	
12	1	EAA0536G27A	Right Switch Foot Pedal	
13	1	EAC0103G56A	Cam For Pedal B	EAC0099G29A+++
14	1	EAS2115G09A	Protection Sheet For Cam	
15	2	EAS2111G73A	Rod Positioner Pedal	
16	1	EAA0440G89A	Tilt Tower Valve and hoses	
	1	EAA0356G96A	Tilt Tower Valve	
17	1	EAA0394G62A	1S Switch Support Asm	
18	1	EAA0347G61A	Rod, Register - Reversing Gear	
20	1	ST4017395	Reversing Switch Monoph + Cab	
22	1	EAK0279G39A	Nuts/Screws For Foot Pedal Asm	
23	1	EAA0440G88A	Turntable Valve and Hoses	
	1	EAA0356G94A	Turntable Valve	
24	1	EAW0276G32A	Cable with CSA Plug	
25	1	EAW0277G09A	Pedal Switch Motor Cable	
26	1	2-16759A	1 PH Rotary Switch	4030044
27	1	EAA0394G36A	1 Phase Switch - Cable Assy. Dx Us	
30	2	1-27406A	Screw PMHS M3 x 10	
31	2	1-1248	Washer Shake Proof, M3	
32	2	1-9741	Washer Plain D 5	
33	2	1-24223A	Screw Self-thread	

# Bead Breaker Arm

From 01/2012 (T55AFxxx) to 03/2018 (T55CMxxx)

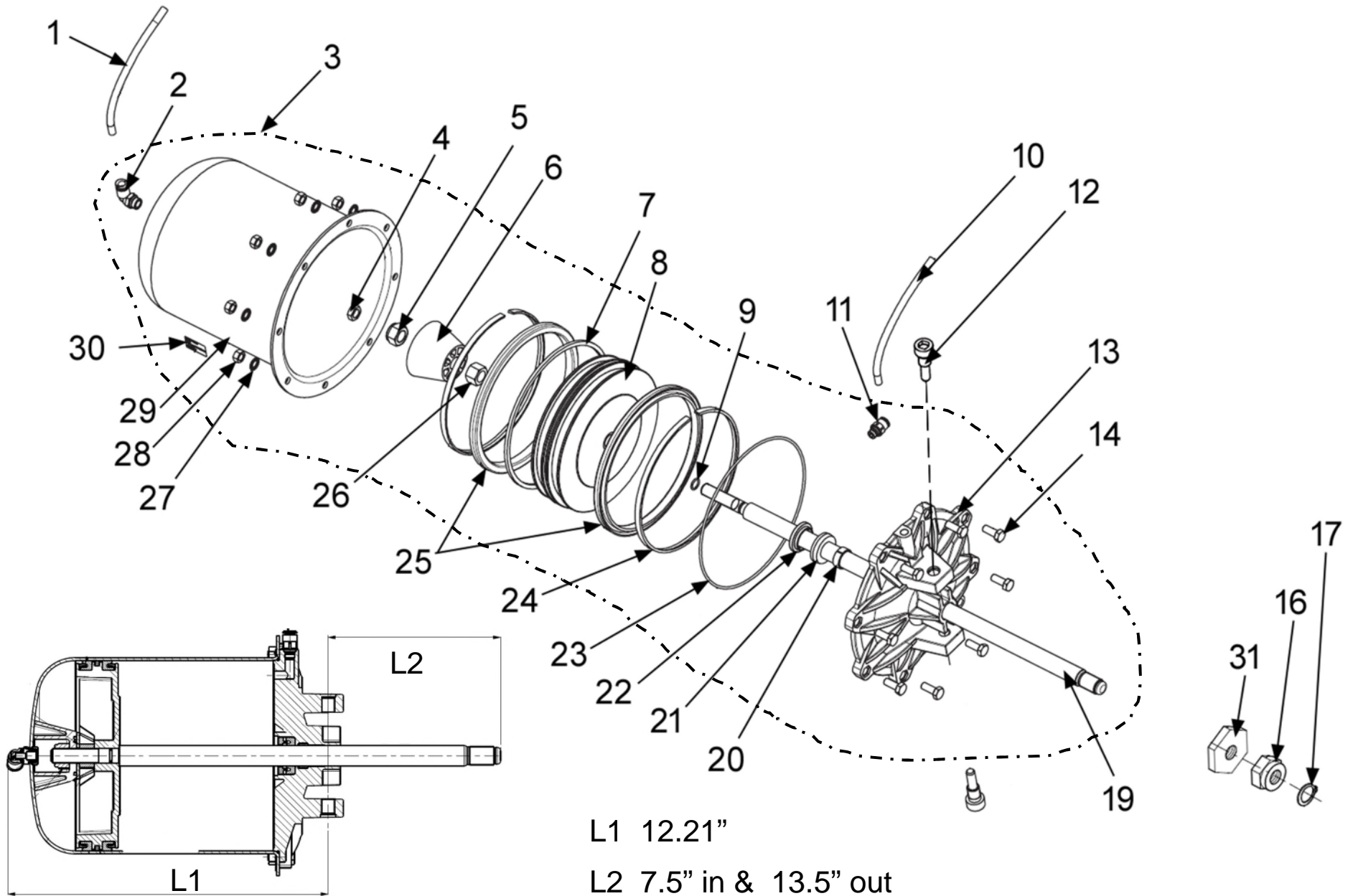


Ref	Qty	Part Number	Description
A	1	EAA0344G08A	Bead Breaker Arm Assembly
1	1	1-02112A	Three Armed Handwheel
2	1	ST7022269	Snap Ring D 24 1-19177A
3	1	1-10241A	Washer Piston D 12
4	1	ST0003523	Spring Handle, Bead EAM0052G37A
5	1	EAM0052G70A	Blade Positioning Pin
6	1	1-02138A	Ring Nut Metal
7	1	1-8552	Pins Straight Slotted
8	1	8-10933A	Adjustable Handles
9	2	1-3677	Snap Ring D 12 ST7022059
10	1	EAM0052G73A	Stopper Rod
11	1	1-19301	Hex Head Screw 8 x 55
12	2	1-11733	Nut M8
13	4	1-15933A	Nut Hex M8 - 1.25
14	2	1-51810A	Locking Device with Ball
15	1	EAS2096G02A	Bead Breaker Arm
16	1	EAM0052G72A	Two Position Stopper
17	2	1-22210A	Screw 8 x 16
18	1	1-51710A	Screw 8 x 12
19	1	1-02338A	Ring Nut Metal Lock M25 x 1.5
20	1	1-25341A	Plane Washer D 25
21	1	1-06246A	Washer D 25
22	1	EAM0052G71A	Blade Rod
23	1	EAS2097G84A	Guide
24	1	EAM0052G76A	Plane Washer
25	1	EAM0052G69A	Worked Rod

Ref	Qty	Part Number	Description	
26	3	1-4177	Seeger D 18	
27	1	EAC0078G04A	Handle Rubber	
28	1	EAM0052G74A	Worked Floating Forged	
29	1	1-20741A	Plain Washer	
30	1	1-03412A	SCR Wing	
31	1	EAM0086G16A	Fulcrum Pin Bead Breaker	
32	1	ST4021305	Bead Breaker Blade	EAS2087G93A
33	1	1-22609	Screw Hex Socket M14 x 110	
34	1	ST7020409	Nut - S Lock, Low M14	1-10433
35	1	ST7021329	Washer D 14.2	1-06346A
36	2	1-10541	Washer D 18	
37	2	1-17809A	Screw 8 x 25	
38	1	EAM0052G75A	Torsional Spring	
39	1	EAM0067G69A	Spring - Recall Arm	0001229

# Bead Breaker Cylinder

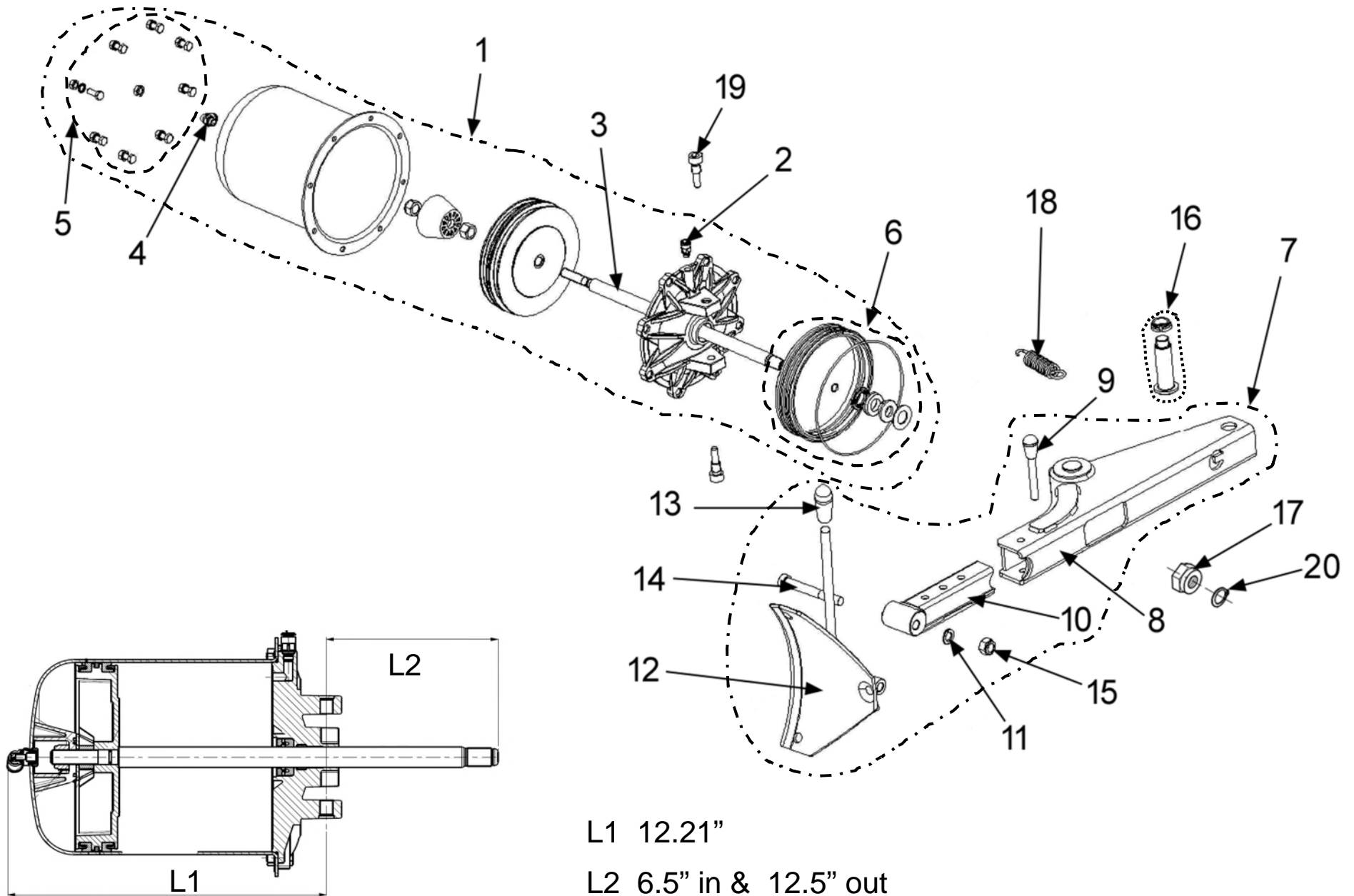
From 01/2012 (T55AFxxx) to 03/2018 (T55CMxxx)



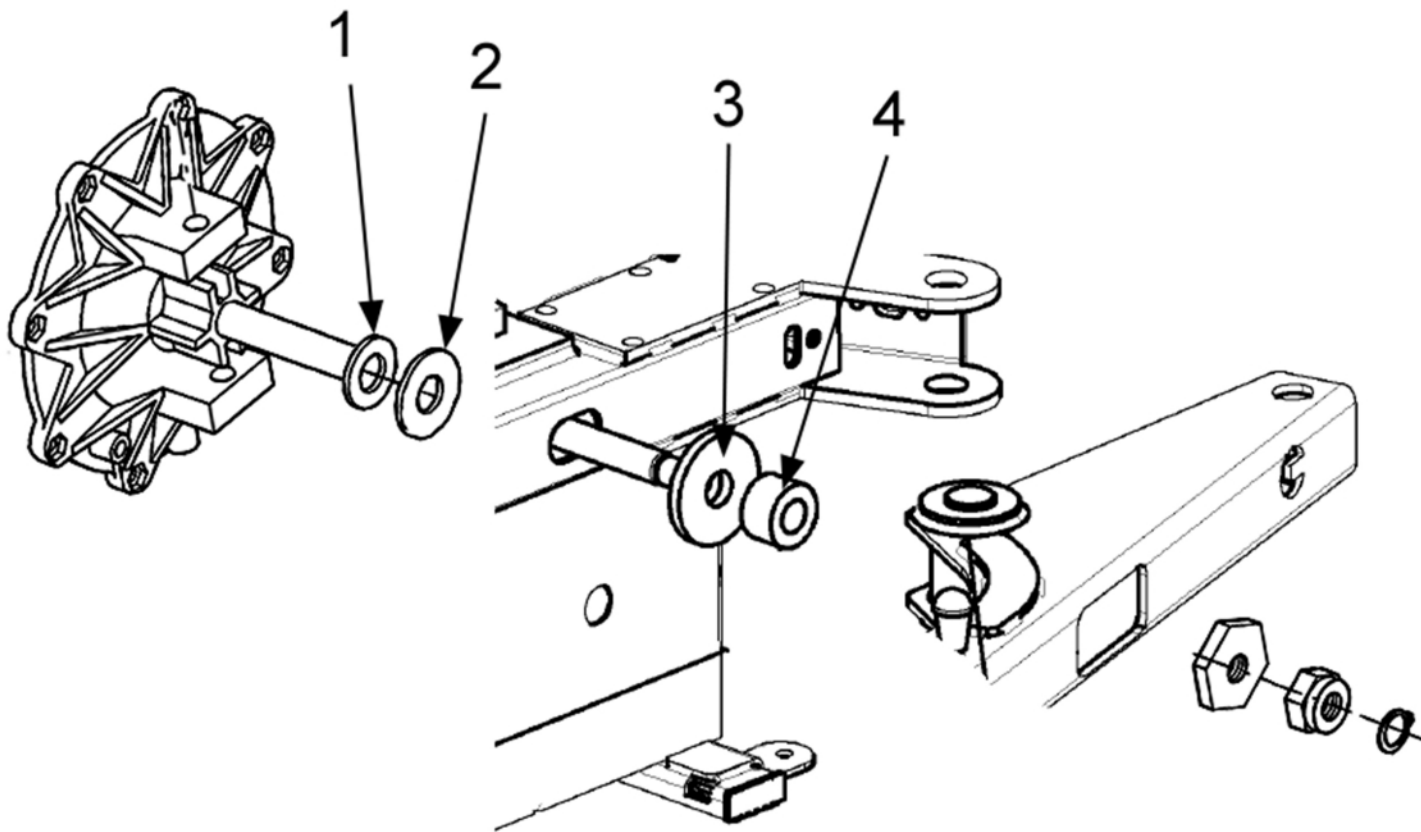
Ref	Qty	Part Number	Description	
1	mr	5-06335A	Hose - Air 6 x 8 (sold by the meter)	EAM0069G97A
2	1	1-20179A	Fitting "L" 6 x 8	
3	1	EAA0329G51A	Cylinder, Bead Breaker	
4	1	1-16433A	Nut 1/4" x 0.25"	
5	1	ST7020409	Nut - S Lock, Low - M14	1-10433
6	1	EAM0048G04A	Limit Switch Rubber Pad	
7	1	ST0010597	Ring - Plastic	EAC0078G35A
8	1	ST0009279	Piston	EAC0094G40A
9	1	8-18314A	Seal - O-Ring D 11	
10	mr	5-06335A	Hose - Air 6 x 8 (sold by the meter)	EAM0069G97A
11	1	ST0001924	Fitting - St 6 x 8 1/8	1-11379A
12	2	EAM0067G34A	Screw, Fitting - Cylinder B/Break	
13	1	ST0013409	End Cap - Cylinder / Bead Breaker	EAC0078G36A
14	8	1-32601	Screw M8 x 20	
16	1	1-24833A	Nut M18 x 1.5 Self Locking	
17	1	1-3977	Retaining Ring For Shafts D 16	
19	1	EAM0048G06A	Rod Bead - Breaker Cylinder	
20	1	ST0024686	Ring For Rod Guide D 20	EAC0078G18A
21	1	ST0001683	Seal, Lip ID 20 OD 36 Th. 8 On Shaft	8-09614
22	1	ST0001684	Retainer - Seal D 20	EAC0078G10A
23	1	8-10014A	O-Ring ID 183.82 x 2.62	
24	2	ST0001470	Ring - Piston, Bead Breaker	EAC0078G34A
25	2	ST0001415	Seal - Lip N D 184	8-10114A
26	1	1-20433A1	Nut - Lock M14 6S White Zinc	
27	8	1-1748	Washer Shakeproof D 8	
28	8	1-11733	Nut M8	
29	1	EAS2068G62A	Cylinder Chamber	
30	1	EAL0383G03A	Plate Cylinder D.E.	
31	1	EAM0067G74A	Hex Washer Thread M18 x 1.5	
NS	1	EAK0306G19A	Cylinder Seal Kit includes items #9, 15, 18, 20, 21, 22, 23, 24, 25	

# Bead Breaker Assembly

From 04/2018 (T55DMxxx) to Present

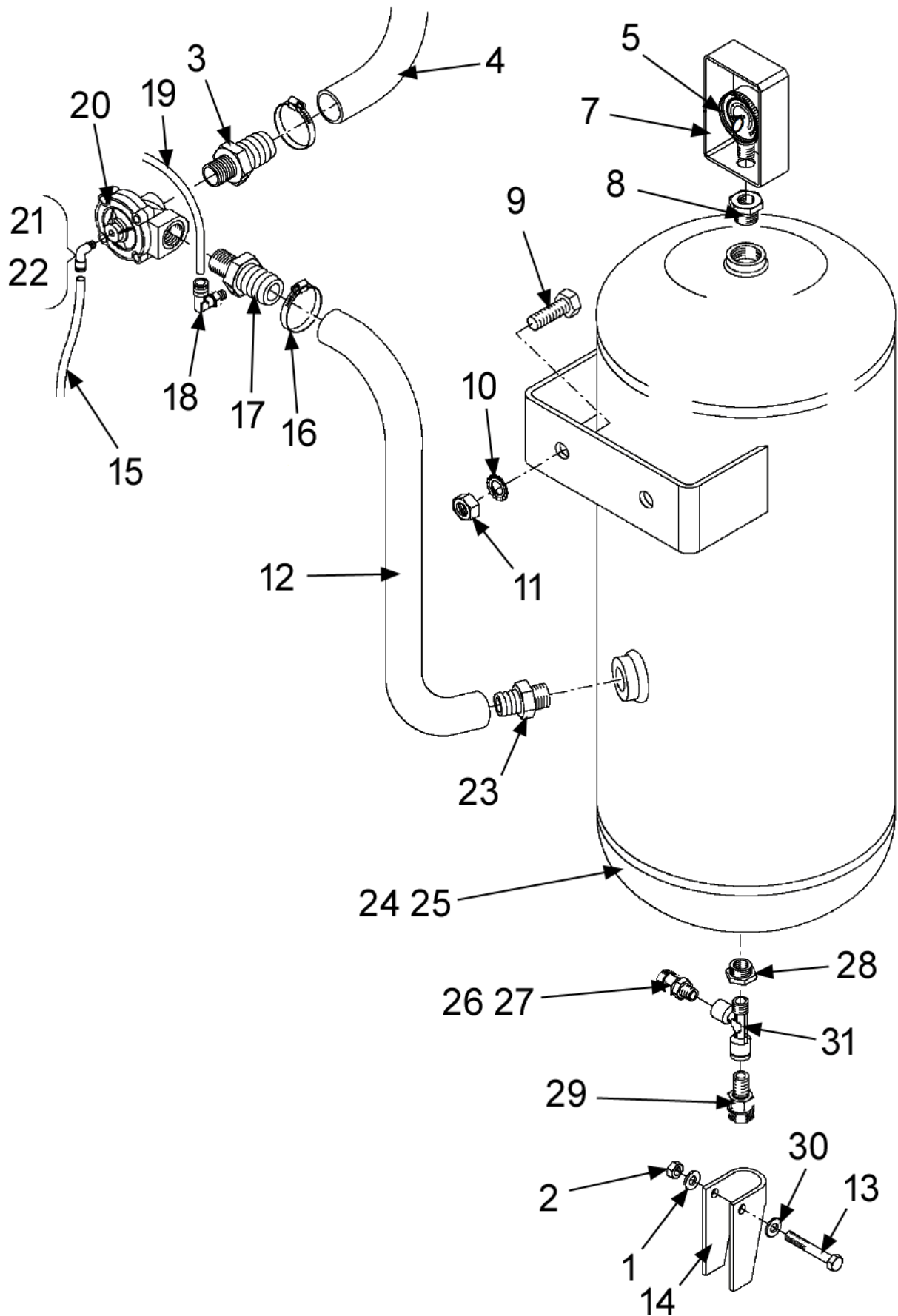


Ref	Qty	Part Number	Description	
1	1	EAA0329G49A	Tc 22" Bead Breaker Cylinder	EAA0377G31A
2	1	ST0001924	Fitting - St 6 x 8 1/8	1-11379A
3	1	EAM0048G07A	Rod Bead - Breaker Cylinder	EAM0085G80A
4	1	1-20179A	Fitting "L" 6 x 8	
5	1	EAK0306G16A	Screws And Bolts For Bead Breaker	
6	1	EAK0306G19A	Seals For Bead Breaker Cyl.	
7	1	EAA0338G44A	Complete Bead Breaker Arm	
8	1	ST4025385	Arm Support, Bead-Breaker Support	EAS2108G27A
9	1	EAA0328G72A	Pin - Lock	
10	1	ST4022408	Extension - Arm, B/Breaker	EAS2087G90A
11	2	ST7021329	Washer 14 mm	1-5246
12	1	ST4021305	Blade, Beadbreaker	EAS2087G93A
13	1	EAC0078G04A	Handle - Rubber	
14	1	1-22609	Screw Tcei M14 x 110 8.8	
15	1	ST7020409	Nut - S Lock, Low - M14	1-10433
16	1	EAK0306G20A	Fulcrum Kit For Bead Breaker Arm	
	1	1-02138A	Ring Nut Metal S Lock M20	
	1	EAM0086G16A	Bead Breaker Arm Pin	
17	1	1-20933A	Nut (Lock) M18 x 1.5	
18	1	EAM0067G69A	Spring - Recall Arm, Bead Breaker	
19	2	EAM0067G34A	Screw, Fitting - Cylinder B/Break	
20	1	1-3977	Retaining ring for Shafts D 16	



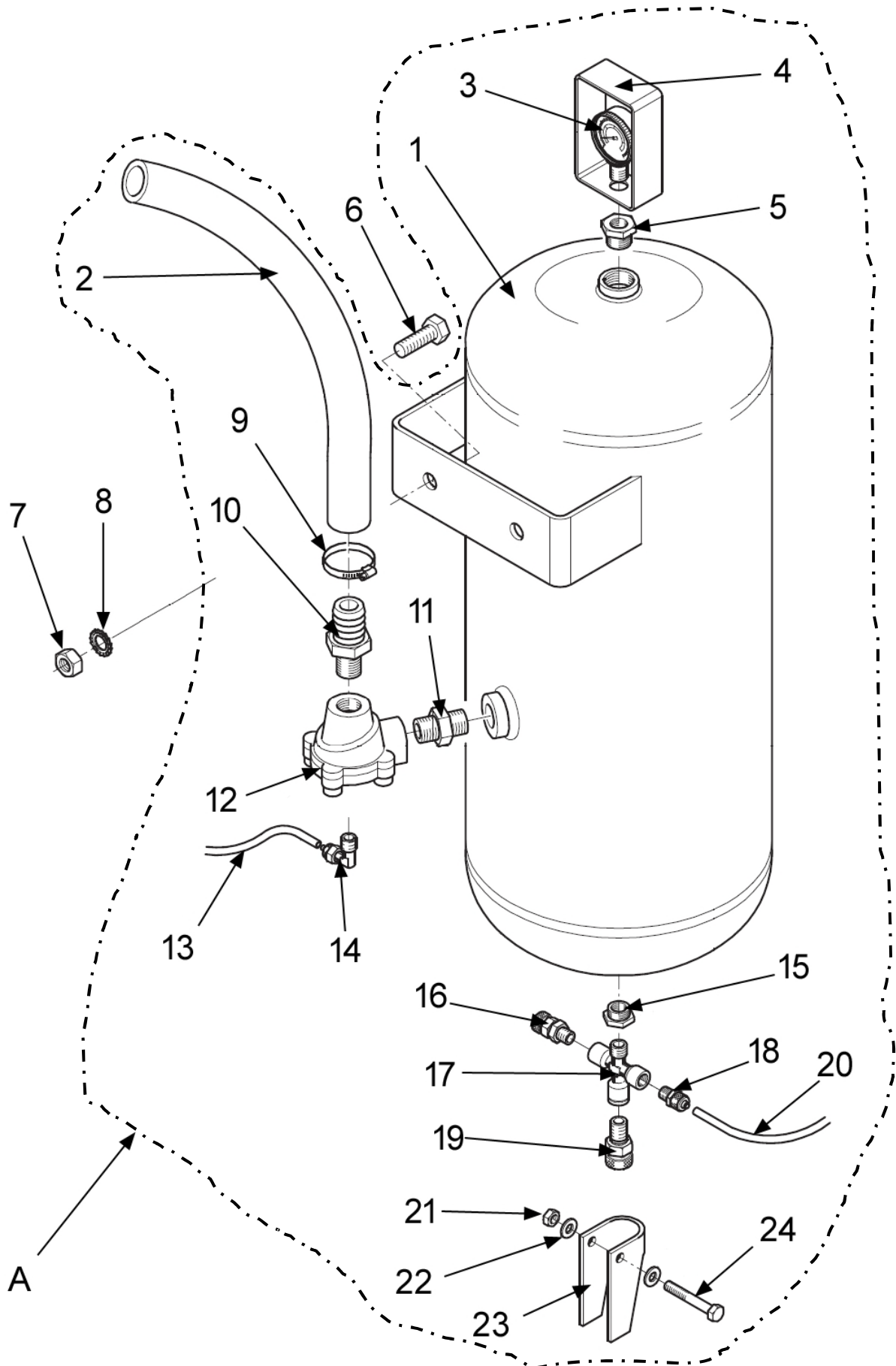
Ref	Qty	Part Number	Description
1	1	EAM0075G25A	Washer, Felt
2	1	EAM0075G26A	Washer, Black Plastic
3	1	EAS2097G96A	Washer, Support - Bead Breaker
4	1	EAC0097G51A	Washer - Shock Absorber

Tank Assembly used up to 02/2024 (T55BTxxx)



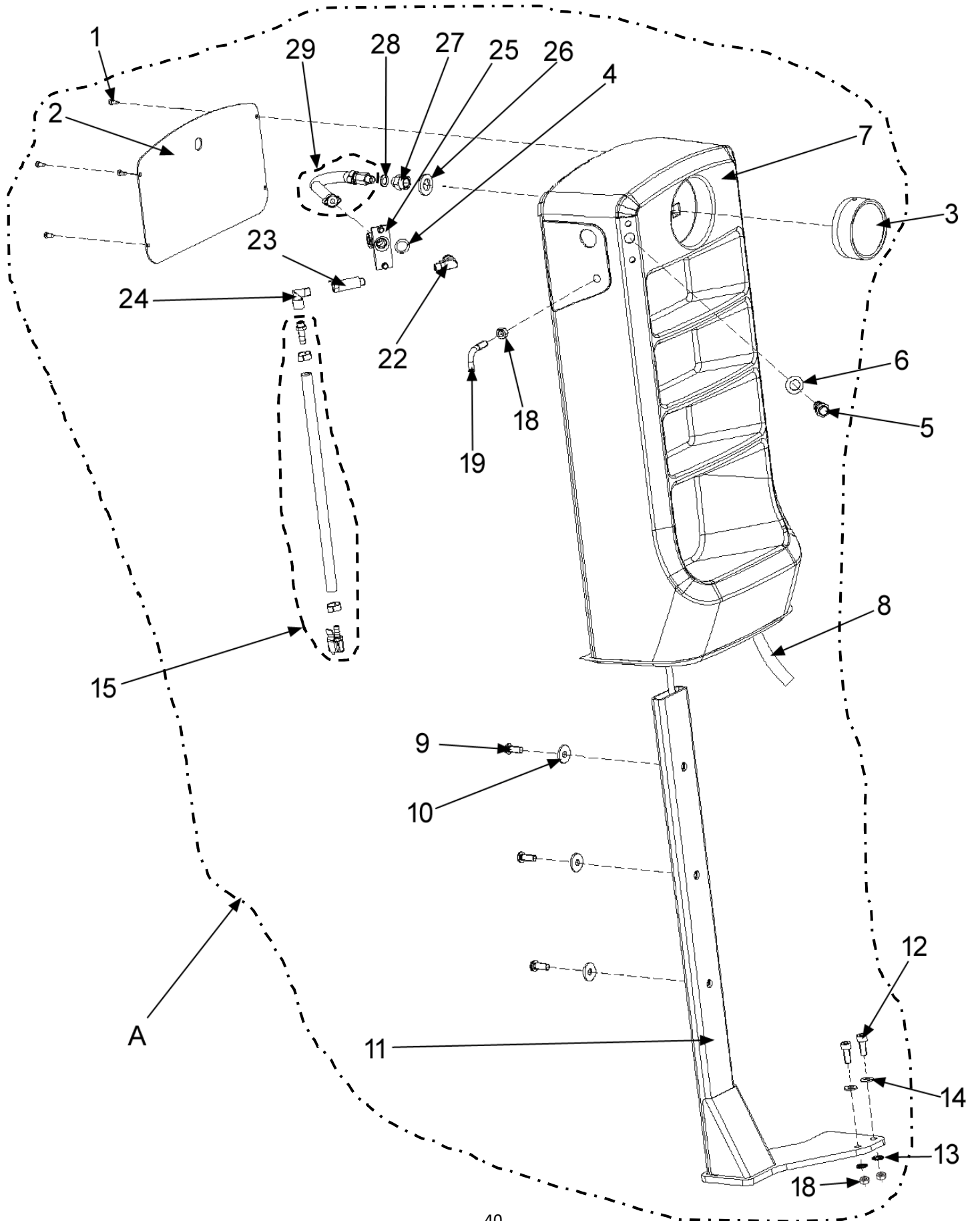
Ref	Qty	Part Number	Description	
1	1	1-10041	Washer, Plain M8	
2	1	1-11733A	Nut M8, Black	
3	1	EAM0071G99A	Fitting, Support M1"- 20	
4	mr	2072705	Hose, Air sold by the meter	14121
5	1	8-06120A	Manometer - Radial 0-16 D 40	
7	1	EAM0074G01A	Protection, Manometer	
8	1	1-16679A	Reduction MF 1/2" - 1/8" Cil.	16432
9	1	1-34501A	Screw Te 10 x 30 8G	
10	1	1-1348	Ext. Shakeproof	
11	1	1-15433	Nut M10 Yellow Zincked Din 934	
12	mr	2072705	Hose, Air sold by the meter	EAM0082G64A
13	1	1-39901A	Screw M8 x 50	
14	1	EAM0074G02A	Protection	
15	mr	5-06435A	Hose - Air 4 x 6 (sold by the meter)	
16	4	EAM0075G29A	Clip Locking Hose 25793	
17	1	15658	Fitting - Rub Holder 1" long	
18	1	1-17279A	Elbow fitting 6 x 8 1/8"	
19	mr	5-06435A	Hose - Air 4 x 6 (sold by the meter)	
20	1	1-29581A	Air Operated Solenoid Valve	
21	1	1-17179A	Elbow fitting 4 x 6 1/4"	
22	1	1-15779A	Elbow fitting 4 x 6 1/8"	
23	1	EAM0071G99A	Fitting, Support M1"- 20	
24	1	EAS2089G67A	Tank - Inflator	
25	1	EAS2090G17A	Tank - Inflator "Asme"	
26	1	1-29281A	Valve, Press. Release 1/4"	
27	1	1-31381A	Valve, Asme Safety, 1/4" Bspt	
28	1	1-16679A	Adapter Mf 1/2 - 1/4	
29	1	1-29481A	Tap, Condensed Water	
30	1	1-10041	Washer, Plain M8	
31	1	1-19079A	T-Fitting MFF 1/4"	

Tank used from 03/2024 (T55CTxxx)



Ref	Qty	Part Number	Description
A	1	EAA0364G01A	Assembled Tank for GT Nozzle
1	1	EAS2089G67A	Air Tank, CE/UKCA, Black Painted
2	mr	2072705	Hose, Air sold by the meter
3	1	8-06120A	Manometer D 40
4	1	EAM0074G01A	Protection, Manometer
5	1	1-12579A	Straight, Fitting MF 1/2" - 1/8"
6*	2	1-34501A	Screw 10 mm - 1.5 x 30
7*	2	1-15433	Nut M10 x 8 mm
8*	2	13148	Washer M10 Ext Shakeproof
9	1	EAM0075G29A	Clip Locking Hose
10	1	EAM0071G99A	1" Hose Fitting
11	1	1-16579A	Conic 1" Nipple
12	1	1-29581A	1" Valve, Air - Controlled
13	mr	5-06435A	Hose - Air 4 x 6 (sold by the meter)
14	1	1-17179A	Fitting 90 Deg 4 x 6 mm 1/4"
15	1	1-16679A	Adapter MF 1/2 - 1/4"
16	1	1-31381A	Valve ASME Safety 1/4" BSPT
17	1	1-16779A	Fitting, Crossed FFFM 1/4"
18	1	1-16879A	Fitting Straight 6 x 8 1/4"
19	1	1-29481A	Tap, Condensed Water
20	mr	5-06335A	Hose - Air 6 x 8 (sold by the meter)
21	1	1-11733A	Nut M8 Black
22	1	1-10041	Washer, Plain M8
23	1	EAM0074G02A	Protection
24	1	1-39901A	Screw M8 x 50
* Note - Items not included in EAA0364G01A			

# Tool Storage Box With Support



Ref	Qty	Part Number	Description	
A	1	EAA0410G56C	Tool Storage Box with Support	
1	4	1-20423A	Self Tapping Screw D 4.2 x 13	
2	1	EAS2153G75A	Cover, For Box, Black Painted	
3	1	8-06820A	Gauge - Air Psi / Kpa	EAA0332G41A
4	1	8-10414A	Seal - O-Ring D 14	
5	1	EAA0328G57A	Bleeder Valve	
6	1	EAM0043G64A	Washer, Bleeder Valve	
7	1	EAC0114G08A	Tool Storage Box	
8	mr	5-06335A	Hose - Air 6 x 8 (sold by the meter)	
9	3	1-18702A	Screw M8 x 20	
10	3	1-17841A	Washer D 8 x 24, Blk	
11	1	EAA0410G29A	Support For Storage Box	
12	2	1-17709	Screw Tcei 8 x 20 8G	
13	2	1-3048	Lock Washer	
14	2	1-10041	Washer, Plain M8	
15	1	EAA0481G30A	Hose Inflation With Chuck And Fittings	
18	3	1-15933A	Nut Hex M8 - 1.25 mm	
19	1	EAA0490G75A	Hook For Inflating Gauge	
22	1	1-11479A	Fitting - L 6 x 8 1/8	
23	1	1-11779A	Fitting, Straight, M/F 1/4"	
24	1	1-11979A	Fitting	
25	1	EAC0078G59A	Body Bleeder Valve	
26	1	1-10341	Washer - D 14	
27	1	1-11879A	Coupling Reduct. 1/4 - 1/8"	
28	1	1-26741A	Washer, Copper	
29	1	ST4029392	Pipe, W. Manometer Damper	EAA0356G06A



Notice: The information contained in this document is subject to change without notice. Hofmann makes no warranty with regard to this material. Hofmann shall not be liable for errors contained herein or for incidental consequential damages in connection with furnishings, performance, or use of this material.

309 Exchange Ave  
Conway, AR 72032  
501-450-1500

---

Monty 3300 Spare Parts List - M3300EM110EM

M3300EM110EM3\_TS

DSS

09/2025